

CENTER SUPPORT FITTINGS

HFC01



MATERIAL	WIDTH	OAL	FITS
Steel	17mm	33mm	A

HFC02



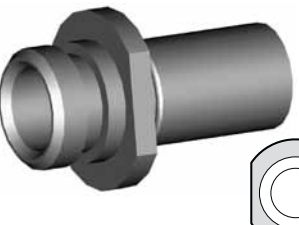
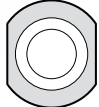

MATERIAL	WIDTH	OAL	FITS
Steel	17mm	34mm	A

HFC06




MATERIAL	WIDTH	OAL	FITS
Steel	17mm	34mm	A

HFC07

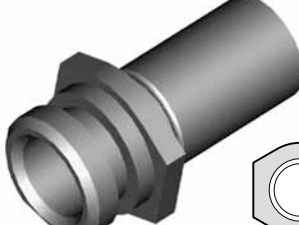
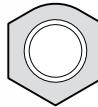
MATERIAL	WIDTH	OAL	FITS
Steel	19mm	35mm	A

HFC09



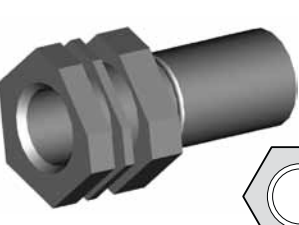
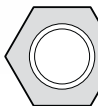

MATERIAL	WIDTH	OAL	FITS
Steel	17mm	34mm	A

HFC10

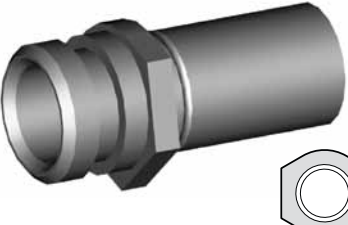
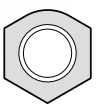
MATERIAL	WIDTH	OAL	FITS
Steel	19mm	35mm	A

HFC11

MATERIAL	WIDTH	OAL	FITS
Steel	19mm	37mm	A

HFC12

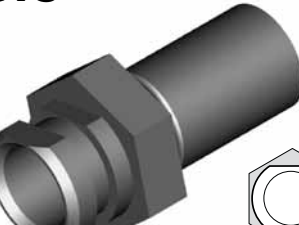
MATERIAL	WIDTH	OAL	FITS
Steel	17mm	35mm	A

HFC13



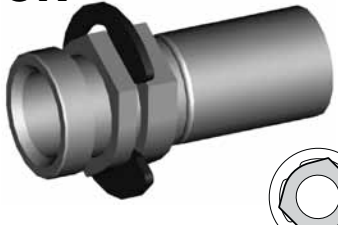

MATERIAL	WIDTH	OAL	FITS
Steel	17mm	33mm	A

HFC15




MATERIAL	WIDTH	OAL	FITS
Steel	19mm	37mm	A

HFC17




MATERIAL	WIDTH	OAL	FITS
Steel	16mm	37mm	US

HFC301




MATERIAL	WIDTH	OAL	FITS
Steel	20mm	33mm	EU

HFC307




MATERIAL	WIDTH	OAL	FITS
Steel	19mm	36mm	US

HFC315




MATERIAL	WIDTH	OAL	FITS
Steel	22mm	34mm	A

HFC327




MATERIAL	WIDTH	OAL	FITS
Steel	21mm	37mm	US

Clip Mount

A = Asian EU = European US = United States UNI = Universal V = Various

CENTER SUPPORT FITTINGS

Clip Mount

HFC331

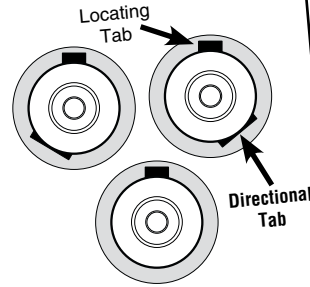
TO BE DISCONTINUED



MATERIAL	WIDTH	OAL	FITS
Steel	33mm	34mm	A

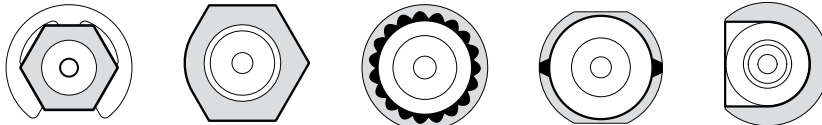
DID YOU KNOW?

Some female fittings were designed with locating and directional profiles to enable the novice installer to route the hose correctly. This meant having both left hand and right hand fittings. BrakeQuip designs these fittings with a locating profile only, which then makes this fitting able to fit both sides of the vehicle.



DID YOU KNOW?

Have you noticed all the different profiles in particular on female fittings between the retaining clip groove and the mounting shoulder? You will find this corresponding shape in the chassis or bracket where the fitting mounts. This is designed so that the hose is routed with the correct orientation. It is very important to note this orientation when assembling brake hoses. It is particularly important to make note of the orientation before you cut off any fitting you are going to reclaim with our lifesaver. Once you cut it off you have lost your orientation reference.



Some typical examples.

A = Asian

EU = European

US = United States

UNI = Universal

V = Various

CENTER SUPPORT FITTINGS

HFC04



MATERIAL	WIDTH	OAL	FITS
Steel	39mm	30mm	A

HFC05



MATERIAL	WIDTH	OAL	FITS
Steel	20mm	30mm	A

HFC14



MATERIAL	WIDTH	OAL	FITS
Steel	33mm	80mm	US

HFC18



MATERIAL	WIDTH	OAL	FITS
Steel	24mm	48mm	US

HFC19



MATERIAL	WIDTH	OAL	FITS
Steel	24mm	48mm	US

HFC316



MATERIAL	WIDTH	OAL	FITS
Steel	22mm	36mm	A

HFC317



Left

MATERIAL	WIDTH	OAL	FITS
Steel	45mm	48mm	A

HFC318



Right

MATERIAL	WIDTH	OAL	FITS
Steel	45mm	48mm	A

HFC319



Left

MATERIAL	WIDTH	OAL	FITS
Steel	45mm	50mm	A

HFC320



Right

MATERIAL	WIDTH	OAL	FITS
Steel	45mm	50mm	A

HFC321



Left

MATERIAL	WIDTH	OAL	FITS
Steel	55mm	50mm	A

HFC322



Left

MATERIAL	WIDTH	OAL	FITS
Steel	40mm	42mm	A

HFC323



Left

MATERIAL	WIDTH	OAL	FITS
Steel	45mm	48mm	A

HFC324



Right

MATERIAL	WIDTH	OAL	FITS
Steel	55mm	50mm	A

HFC325



Right

MATERIAL	WIDTH	OAL	FITS
Steel	40mm	42mm	A

Bracket Mount

A = Asian EU = European US = United States UNI = Universal V = Various

CENTER SUPPORT FITTINGS

Bracket Mount

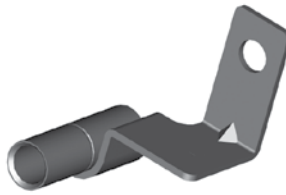
HFC326



Right

MATERIAL	WIDTH	OAL	FITS
Steel	45mm	48mm	A

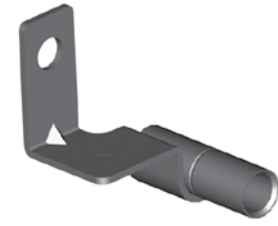
HFC328



Left

MATERIAL	WIDTH	OAL	FITS
Steel	45mm	50mm	A

HFC329



Right

MATERIAL	WIDTH	OAL	FITS
Steel	45mm	50mm	A

HFC338

NEW



MATERIAL	WIDTH	OAL	FITS
Steel	18mm	-	A

HFC339

NEW



MATERIAL	WIDTH	OAL	FITS
Steel	18mm	-	A

HFC340

NEW



M6 x 1 Thread

MATERIAL	WIDTH	OAL	FITS
Steel	20mm	29mm	A

HFC341

NEW



MATERIAL	WIDTH	OAL	FITS
Steel	23mm	-	A

HFC342

NEW



MATERIAL	WIDTH	OAL	FITS
Steel	23mm	-	A

HFC343

NEW



MATERIAL	WIDTH	OAL	FITS
Steel	40mm	37mm	A

HFC344

NEW



MATERIAL	WIDTH	OAL	FITS
Steel	40mm	37mm	A

HFC345

NEW



MATERIAL	WIDTH	OAL	FITS
Steel	-	44mm	A

HFC346

NEW



MATERIAL	WIDTH	OAL	FITS
Steel	-	44mm	A

HFC347

NEW



M8 x 1.25 Thread

MATERIAL	WIDTH	OAL	FITS
Steel	20mm	25mm	EU

A = Asian

EU = European

US = United States

UNI = Universal

V = Various