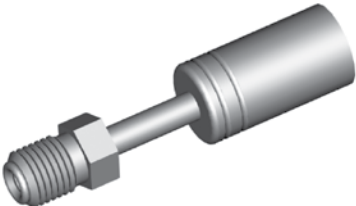


MISCELLANEOUS HOSE FITTINGS

Male Swivel - 3/8" x 24NF

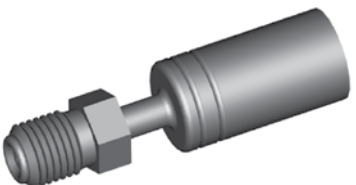
HF16



Swivel

THREAD	FLARE	TUBE SIZE	OAL	FITS
3/8" x 24NF	Double	3/16"	57mm	V


HF16B



Swivel - Brass

THREAD	FLARE	TUBE SIZE	OAL	FITS
3/8" x 24NF	Double	3/16"	49mm	V

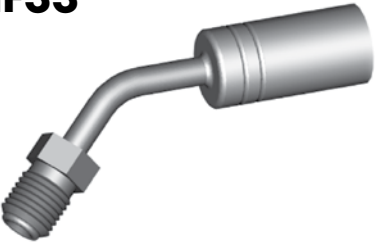
HF17



Swivel 90°

THREAD	FLARE	TUBE SIZE	OAL	FITS
3/8" x 24NF	Double	3/16"	49mm	V


HF33



Swivel 45°

THREAD	FLARE	TUBE SIZE	OAL	FITS
3/8" x 24NF	Double	3/16"	65mm	V

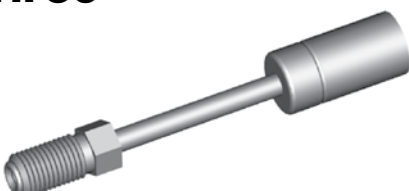
HF54



Swivel

THREAD	FLARE	TUBE SIZE	OAL	FITS
3/8" x 24NF	Double	3/16"	125mm	US

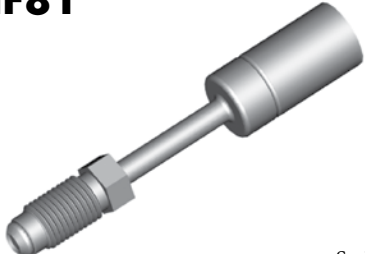
HF63



Swivel

THREAD	FLARE	TUBE SIZE	OAL	FITS
3/8" x 24NF	Double	3/16"	88mm	V

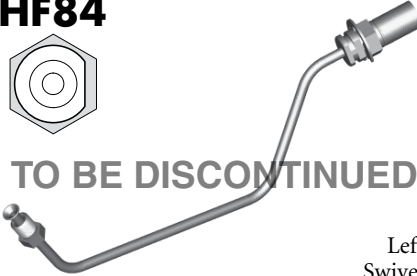
HF81



Swivel

THREAD	FLARE	TUBE SIZE	OAL	FITS
3/8" x 24NF	Bubble	3/16"	76mm	V

HF84




Left Swivel

TO BE DISCONTINUED

THREAD	FLARE	TUBE SIZE	OAL	FITS
3/8" x 24NF	Double	3/16"	-	US

HF85



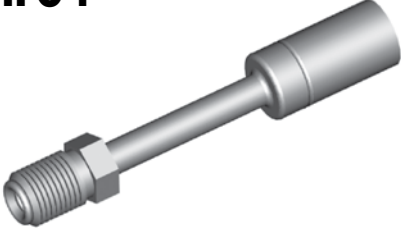
Right Swivel

TO BE DISCONTINUED

THREAD	FLARE	TUBE SIZE	OAL	FITS
3/8" x 24NF	Double	3/16"	-	US

Male Swivel - 7/16" x 24NS


HF04



Swivel

THREAD	FLARE	TUBE SIZE	OAL	FITS
7/16" x 24NS	Double	1/4"	80mm	V

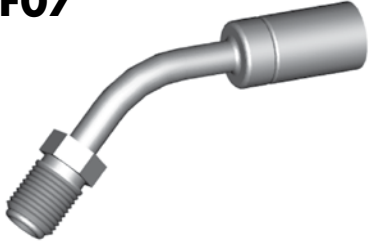
HF06



Swivel 90°

THREAD	FLARE	TUBE SIZE	OAL	FITS
7/16" x 24NS	Double	1/4"	61mm	V

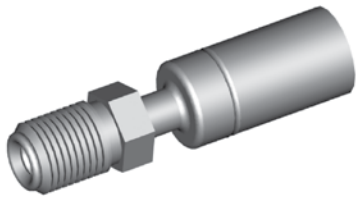
HF07



Swivel 45°

THREAD	FLARE	TUBE SIZE	OAL	FITS
7/16" x 24NS	Double	1/4"	76mm	V

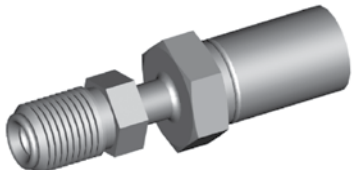
HF15



Swivel

THREAD	FLARE	TUBE SIZE	OAL	FITS
7/16" x 24NS	Double	1/4"	52mm	V

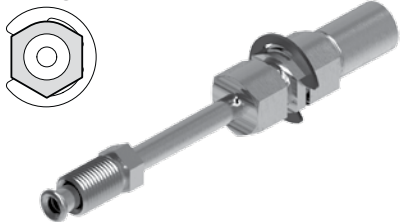
HF39



Swivel

THREAD	FLARE	TUBE SIZE	OAL	FITS
7/16" x 24NS	Double	1/4"	54mm	V

HF89



Swivel

THREAD	FLARE	TUBE SIZE	OAL	FITS
7/16" x 24NS	Double	1/4"	120mm	US

A = Asian

EU = European

US = United States

UNI = Universal

V = Various

MISCELLANEOUS HOSE FITTINGS

HF94

Swivel 60°

THREAD	FLARE	TUBE SIZE	OAL	FITS
7/16" x 24NS	Double	1/4"	-	US

HF97

Swivel

THREAD	FLARE	TUBE SIZE	OAL	FITS
7/16" x 24NS	Double	1/4"	-	US

HF100

Swivel

THREAD	FLARE	TUBE SIZE	OAL	FITS
7/16" x 24NS	Double	1/4"	81mm	US

HF101

Swivel 90°

THREAD	FLARE	TUBE SIZE	OAL	FITS
7/16" x 24NS	Double	1/4"	-	US

HF119

Swivel

THREAD	FLARE	TUBE SIZE	OAL	FITS
7/16" x 24NS	45° Double	1/4"	160mm	V

HF145
NEW

Swivel 70°

THREAD	FLARE	TUBE SIZE	OAL	FITS
7/16" x 24NS	Double	1/4"	135mm	V

HF18

Swivel

THREAD	FLARE	TUBE SIZE	OAL	FITS
1/2" x 20NF	Double	5/16"	80mm	V

HF28

Swivel

THREAD	FLARE	TUBE SIZE	OAL	FITS
1/2" x 20NF	Double	5/16"	60mm	V

HF29

Swivel 90°

THREAD	FLARE	TUBE SIZE	OAL	FITS
1/2" x 20NF	Double	5/16"	62mm	V

HF92

Swivel 90°

THREAD	FLARE	TUBE SIZE	OAL	FITS
1/2" x 20NF	Double	3/16"	-	US

HF98

Swivel 90°

THREAD	FLARE	TUBE SIZE	OAL	FITS
9/16" x 18NF	Double	1/4"	-	US

HF08

Swivel

THREAD	FLARE	TUBE SIZE	OAL	FITS
M10 x 1	DIN	3/16"	70mm	EU

HF34

Swivel

THREAD	FLARE	TUBE SIZE	OAL	FITS
M10 x 1	Double	3/16"	71mm	V

HF52

Swivel

THREAD	FLARE	TUBE SIZE	OAL	FITS
M10 x 1	DIN	3/16"	57mm	US

Male Swivel - 7/16" x 24NS

Male Swivel - 1/2" and 9/16" NF

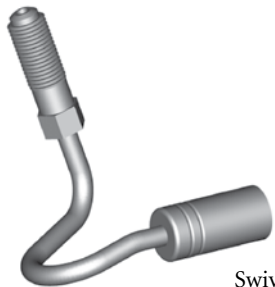
Male Swivel - Metric

A = Asian EU = European US = United States UNI = Universal V = Various

MISCELLANEOUS HOSE FITTINGS

Male Swivel - Metric

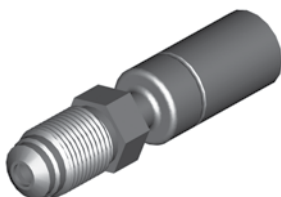
HF53



Swivel

THREAD	FLARE	TUBE SIZE	OAL	FITS
M10 x 1	DIN	3/16"	57mm	US

HF77



Swivel

THREAD	FLARE	TUBE SIZE	OAL	FITS
M12 x 1	DIN	1/4"	57mm	V

HF82



Swivel

THREAD	FLARE	TUBE SIZE	OAL	FITS
M10 x 1	DIN	3/16"	71mm	V

HF99



Swivel 95°

THREAD	FLARE	TUBE SIZE	OAL	FITS
M10 x 1	DIN	3/16"	-	US

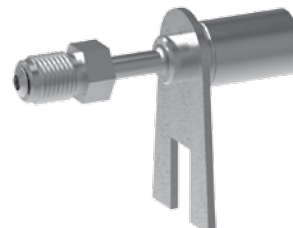
HF115



Swivel 90°

THREAD	FLARE	TUBE SIZE	OAL	FITS
M10 x 1	DIN	3/16"	-	EU

HF116



Swivel

THREAD	FLARE	TUBE SIZE	OAL	FITS
M10 x 1	DIN	3/16"	-	EU

HF117



Swivel

THREAD	FLARE	TUBE SIZE	OAL	FITS
M10 x 1	DIN	3/16"	-	EU

HF310

NEW



Swivel

THREAD	FLARE	TUBE SIZE	OAL	FITS
M10 x 1	DIN	3/16"	72mm	EU

HF311

NEW



Swivel

THREAD	FLARE	TUBE SIZE	OAL	FITS
M10 x 1	DIN	3/16"	60mm	EU

HF403

NEW



Swivel

THREAD	FLARE	TUBE SIZE	OAL	FITS
M10 x 1	Double	3/16"	65mm	V

HF404

NEW



Swivel

THREAD	FLARE	TUBE SIZE	OAL	FITS
M12 x 1	Double	3/16"	65mm	V

DID YOU KNOW?

Some flared tube style fittings are deliberately made longer to make them more universal. This enables you to bend the tube to the desired shape and allows you plenty of room to place the BQ23 test spade under the nut for testing.

A = Asian

EU = European

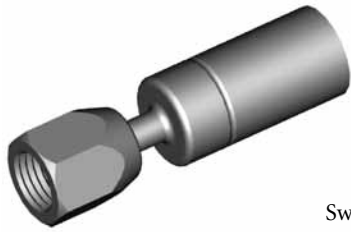
US = United States

UNI = Universal

V = Various

MISCELLANEOUS HOSE FITTINGS

HF09



Swivel
No. 3 JIC

THREAD	FLARE	TUBE SIZE	OAL	FITS
3/8" x 24NF	37° Double	3/16"	58mm	V

HF09W



Swivel
No. 3 JIC

THREAD	FLARE	TUBE SIZE	OAL	FITS
3/8" x 24NF	37°	-	36mm	V

HF10



Swivel 45°
No. 3 JIC

THREAD	FLARE	TUBE SIZE	OAL	FITS
3/8" x 24NF	37° Double	3/16"	52mm	V

HF11



Swivel 90°
No. 3 JIC

THREAD	FLARE	TUBE SIZE	OAL	FITS
3/8" x 24NF	37° Double	3/16"	45mm	V

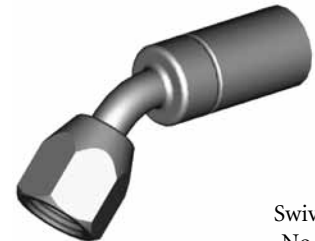
HF12



Swivel
No. 4 JIC

THREAD	FLARE	TUBE SIZE	OAL	FITS
7/16" x 20NF	37° Double	1/4"	50mm	V

HF13



Swivel 45°
No. 4 JIC

THREAD	FLARE	TUBE SIZE	OAL	FITS
7/16" x 20NF	37° Double	1/4"	56mm	V

HF14



Swivel 90°
No. 4 JIC

THREAD	FLARE	TUBE SIZE	OAL	FITS
7/16" x 20NF	37° Double	1/4"	48mm	V

HF61



Swivel
No. 2 JIC

THREAD	FLARE	TUBE SIZE	OAL	FITS
5/16" NF	37° Double	-	35mm	V

HF102



Swivel

THREAD	FLARE	TUBE SIZE	OAL	FITS
M12 x 1	Double	1/4"	50mm	V

HF110



Swivel
O-Ring Included

THREAD	FLARE	TUBE SIZE	OAL	FITS
M14 x 1.5	24°	-	45mm	V

HF111



Swivel
O-Ring Included

THREAD	FLARE	TUBE SIZE	OAL	FITS
1/4" x 19BSP	Flat Face	1/4"	-	V

Female Swivel

Specials

A = Asian

EU = European

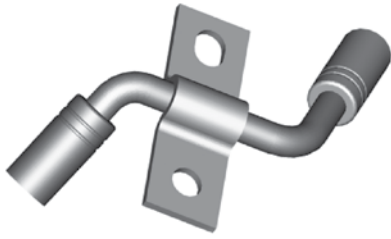
US = United States

UNI = Universal

V = Various

MISCELLANEOUS HOSE FITTINGS

HF37



THREAD	FLARE	TUBE SIZE	OAL	FITS
-	-	8mm	86mm	A

HF38



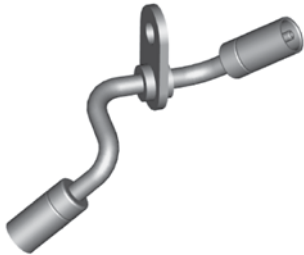
THREAD	FLARE	TUBE SIZE	OAL	FITS
-	-	8mm	86mm	A

HF71



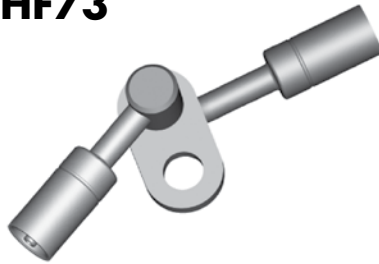
THREAD	FLARE	TUBE SIZE	OAL	FITS
-	-	7mm	130mm	A

HF72



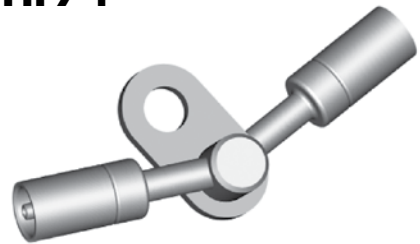
THREAD	FLARE	TUBE SIZE	OAL	FITS
-	-	7mm	130mm	A

HF73



THREAD	FLARE	TUBE SIZE	OAL	FITS
-	-	7mm	95mm	A

HF74



THREAD	FLARE	TUBE SIZE	OAL	FITS
-	-	7mm	95mm	A

HF300



THREAD	FLARE	TUBE SIZE	OAL	FITS
-	-	8mm	190mm	US

HF301



THREAD	FLARE	TUBE SIZE	OAL	FITS
-	-	8mm	190mm	US

Center Joiner

A = Asian

EU = European

US = United States

UNI = Universal

V = Various

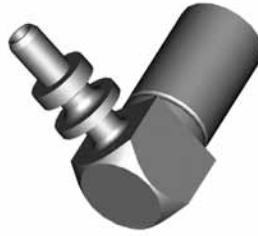
MISCELLANEOUS HOSE FITTINGS

HF35



THREAD	FLARE	TUBE SIZE	OAL	FITS
-	-	-	43mm	US

HF62



THREAD	FLARE	TUBE SIZE	OAL	FITS
-	-	-	35mm	US

HF83



Suits Jeep O-Ring Included

THREAD	FLARE	TUBE SIZE	OAL	FITS
-	-	-	35mm	US

HF114



O-Ring Included

THREAD	FLARE	TUBE SIZE	OAL	FITS
-	-	-	44mm	EU

HF125



O-Ring Included

THREAD	FLARE	TUBE SIZE	OAL	FITS
-	-	-	50mm	US

HF30



For 3/16" Tube

THREAD	FLARE	TUBE SIZE	OAL	FITS
-	-	3/16"	48mm	UNI

HF31



For 1/4" Tube

THREAD	FLARE	TUBE SIZE	OAL	FITS
-	-	1/4"	51mm	UNI

Clutch Special

Compression

Note: Compression Style fittings are not recommended for hydraulic braking systems.

MISCELLANEOUS HOSE FITTINGS

Lifesaver

HF01



THREAD	FLARE	TUBE SIZE	OAL	FITS
-	-	3/16"	27mm	UNI

HF05



Center Support Lifesaver

THREAD	FLARE	TUBE SIZE	OAL	FITS
-	-	-	25mm	UNI

HF26



THREAD	FLARE	TUBE SIZE	OAL	FITS
-	-	1/4"	27mm	UNI

HF27



For tube style fittings

THREAD	FLARE	TUBE SIZE	OAL	FITS
-	-	5/16"	27mm	UNI

HF120



For banjo fittings with a 7mm shank

THREAD	FLARE	TUBE SIZE	OAL	FITS
-	-	7mm	25mm	UNI

Universal

HF02



THREAD	FLARE	TUBE SIZE	OAL	FITS
-	-	3/16"	100mm	UNI

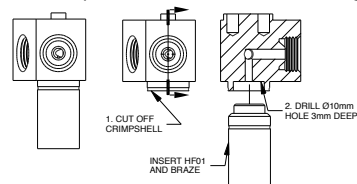
HF03



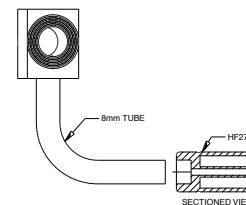
THREAD	FLARE	TUBE SIZE	OAL	FITS
-	-	1/4"	100mm	UNI

DID YOU KNOW?

It is impossible to stock every fitting. That is why BrakeQuip supplies lifesavers to fill in the gaps. Currently BrakeQuip offers five different lifesavers to suit different fitting situations. This makes it easy and efficient for you to reuse the original fitting. The HF01 & HF26 are virtually the same and are designed for most standard fittings. However these have a tubing



countersunk in them so that you can easily braze tube directly to them to make up custom fittings. The HF27 is designed to suit all the fittings that have a 5/16" (8mm) tube attached to it. The HF120 is designed to reuse all banjo fittings that have 7mm shank such as the HFB09. The HF05 is designed to reuse all center support fittings.



A = Asian

EU = European

US = United States

UNI = Universal

V = Various